



Special Features

- Assembly with Cart Iron tube for high temp. application Thermocouple element is available in different wire sizes.
- Available in various process connections & sheath diameters
- Enclosures (Head)
 - Weatherproof IP - 67
 - Flameproof Gr. IIA, IIB
 - Explosion proof IIA, IIB, II C
- Reference standard : IEC - 584.2 / ANSI MC - 96.1

Application

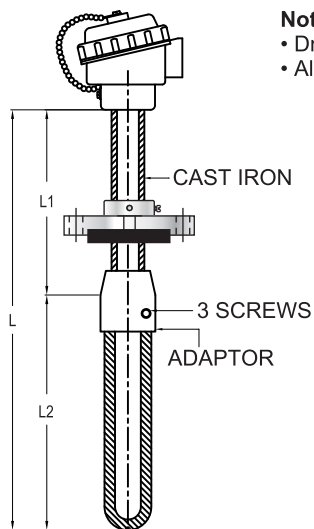
- Temperature measurement of furnaces, combustion chambers, recuperators and similar applications.

Specifications

Standard Version

Thermocouple type	: Mineral insulated metal Sheathed
No of elements	: Simplex
Accuracy	: Class 2 as per IEC - 584.2 / ANSI MC - 96.1
Element type	: Chromel - Alumel (K type)
Hot junction type	: Ungrounded junction
Terminal head Type	: Screwed type, weatherproof, IP-67 in Die Cast Aluminum
No of conduit entry	: One
Conduit entry size	: 3/4" ET(F)
Sheath diameter	: 6 mm
Sheath material	: SS 316
Thermowell material (cold end)	: SS 316
Thermowell material (hot end)	: Cast Iron
Thermowell OD x ID	: 21 x 17 mm
Process connection	: 1/2"150 # Adj. Flange,
Flange / threaded conn. material	: SS 316
Thermowell (cold end) length 'L1'	: 500 mm
Thermowell (hot end) length 'L2'	: 500 mm
Tag plate	: SS tag plate

Dimensional Details



- Notes :**
- Drawings are not to scale.
 - All Dimensions are in mm.

How To Order

Example

Basic model		T15
Optional Extras		
(Select if you required options other than standard product details)		
Thermocouple Type		
MI Mineral insulated metal sheathed (Std.)		X
No of Element		
1 Simplex 2 Duplex		X
Element Type		
K Chromel-Alumel		
J Iron-Constantan		
T Copper-Constantan		X
E Chromel-Constantan		
N Nicrosil - Nisil		
Accuracy		
1 Class 1 as per IEC - 584.2 / ANSI MC - 96.1		X
2 Class 2 as per IEC - 584.2 / ANSI MC - 96.1		
Hot Junction Type		
G Grounded Junction UG Un-Grounded Junction		X
Terminal Head Type		
F Screwed type, Flameproof, IP-67, Gr. IIA IIB in Die Cast Aluminum		
E Screwed type, Explosion proof, IP-67, Gr. IIC in Die Cast Aluminum		
H Hinged type, Weatherproof, IP-67 in Die Cast Aluminum		X
B Weatherproof Head, IP-67 in Die-cast Aluminum		
A Screwed type, weatherproof, IP-65 in Die Cast Aluminum (Standard)		
C C Screwed Type, Weatherproof, IP-68 in Die Cast Aluminum		
3 Terminal head in SS 304 - WP, IP-67		
4 Terminal head in SS 316 - WP, IP-67		
* For other option contact factory		
No of Conduit Entry / Entries		
1 One 2 Two		X
Conduit Entry Size		
A 3/4" ET(F)	C 3/4" NPT(F)	
B 1/2" NPT(F)	Other, please specify.	X
Sheath Diameter		
4.5 4.5 mm 8 8.0 mm		
6 6.0 mm	Others, please specify.	X

How To Order	Example	How To Order	Example
Sheath Material	X	Thermowell (Cold End) Length "L1"	500 mm
1 SS 316 6 Inconel 600		L1 - Specify in mm.	
3 SS 310 8 Inconel 800		Thermowell (Cold End) Length "L2"	1000 mm
4 SS 446		L2 - Specify in mm.	
Thermowell Material (Cold End)	X	Other Options	XX
1 SS 316		13 Head mounted Temperature transmitter(4-20 mA)	
3 SS 310		14 SS Base plate suitable for temperature transmitter	
4 SS 446		21 Plug for conduit entry in carbon steel	
6 Inconel 600		22 Plug for conduit entry in SS 304	
8 Inconel 800	23 Plug for conduit entry in SS 316		
Thermowell Material (Hot End)	XX	32 S. C. cable gland in Nickel plated Brass - WP	
SN Silicon Nitride.		33 D. C. cable gland in Nickel plated Brass - WP	
Thermowell OD x ID (Cold End)	21x17	34 S. C. cable gland in SS 304 - WP	
OD x ID - Specify in mm.		35 D. C. cable gland in SS 304 - WP	
Thermowell OD x ID (Hot End)	XX	36 S. C. cable gland in SS 316 - WP	
OD x ID - Specify in mm.		37 D. C. cable gland in SS 316 - WP	
Flange / Threaded Connection Material	X	39 D. C. cable gland in Nickel plated Brass - FLP	
2 A182 F304		41 D. C. cable gland in SS 304 - FLP	
3 A182 F316		43 D. C. cable gland in SS 316 - FLP	
Consult factory for other material.		44 Plug for conduit entry in AL	
(As per ANSI B 16.5)*		45 D. C. cable gland in Nickel plated brass-Ex proof	
B15 3/4" 150 # B21 1" 150 # B39 2" 150 #		46 D. C. cable gland in SS304--Ex proof	
B16 3/4" 300 # B22 1" 300 # B40 2" 300 #		47 D. C. cable gland in SS316--Ex proof	
B17 3/4" 600 # B23 1" 600 # B41 2" 600 #		PW Calibration certificate	
		Note :	
		1. When selecting option "PW", please also specify temp. Points at which calibration is to be carried out .	
		2. Explanations of Abbreviations used:	
		SC = Single Compression SS = Stainless Steel	
		DC = Double Compression FLP = Flameproof	
		WP = Weatherproof	
		Ordering Example :	
		T15 . X . X . X . X . X . X . X . X . X . X . XX . 21 x 17 . XX . X . 500mm . 1000mm . XX	
* Please mention the flange face and flange finish). Please consult factory for other flanges.			

Note : Specifications and dimensions given in this product catalogue represents the state of engineering at the time of printing .
Modifications may take place and materials specified may be replaced by others without prior notice.